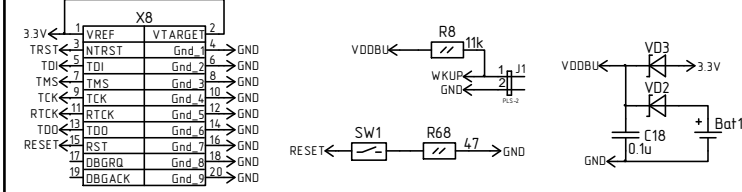
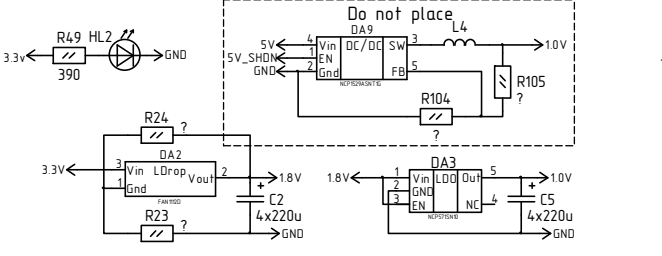
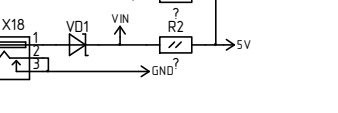
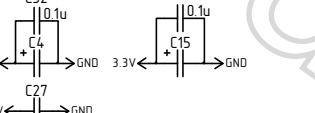
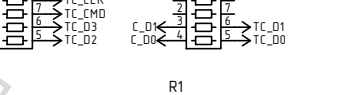
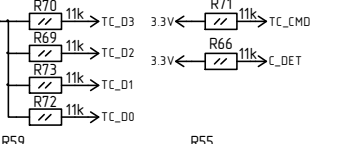
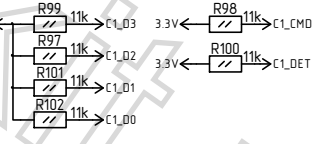
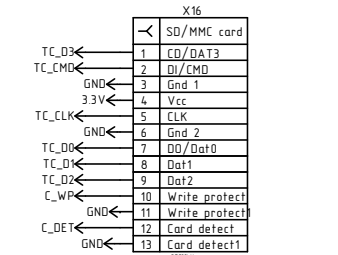
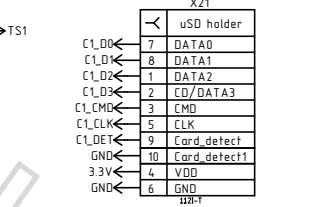
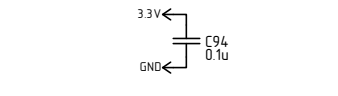
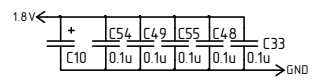
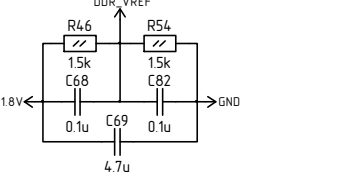
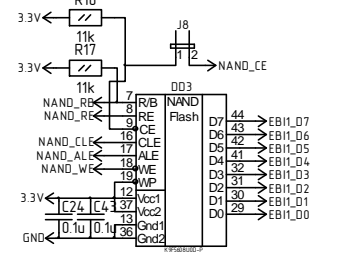
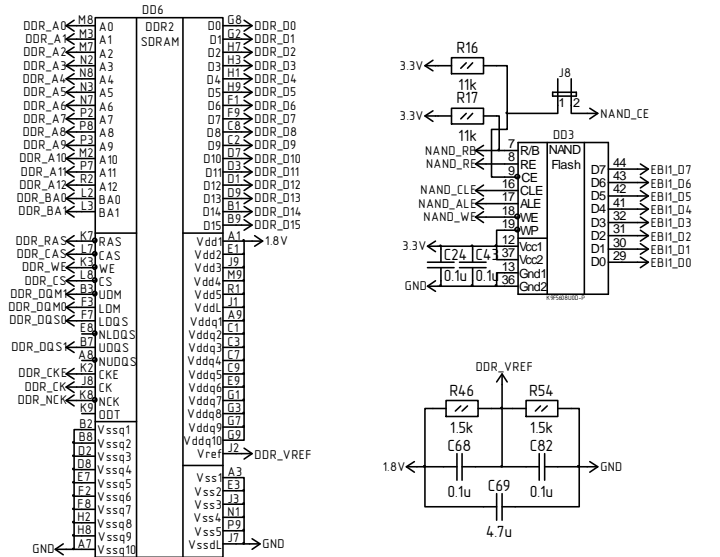


DD2 ARM9

DDR_D0	R16	EBIO_DDR_00	EBI1_D0	A17	EBI1_D0
DDR_D1	R15	EBIO_DDR_01	EBI1_D1	D15	EBI1_D1
DDR_D2	T14	EBIO_DDR_02	EBI1_D2	E15	EBI1_D2
DDR_D3	P15	EBIO_DDR_03	EBI1_D3	B16	EBI1_D3
DDR_D4	P17	EBIO_DDR_04	EBI1_D4	S15	EBI1_D4
DDR_D5	R14	EBIO_DDR_05	EBI1_D5	C17	EBI1_D5
DDR_D6	P14	EBIO_DDR_06	EBI1_D6	L16	EBI1_D6
DDR_D7	P14	EBIO_DDR_07	EBI1_D7	A15	EBI1_D7
DDR_D8	N15	EBIO_DDR_08	EBI1_D8	B14	EBI1_D8
DDR_D9	P18	EBIO_DDR_09	EBI1_D9	D13	EBI1_D9
DDR_D10	N17	EBIO_DDR_10	EBI1_D10	E13	EBI1_D10
DDR_D11	N18	EBIO_DDR_11	EBI1_D11	B13	EBI1_D11
DDR_D12	N14	EBIO_DDR_12	EBI1_D12	E12	EBI1_D12
DDR_D13	N14	EBIO_DDR_13	EBI1_D13	D12	EBI1_D13
DDR_D14	M15	EBIO_DDR_14	EBI1_D14	E12	EBI1_D14
DDR_D15	M16	EBIO_DDR_15	EBI1_D15	L12	EBI1_D15

DD2 GPIO

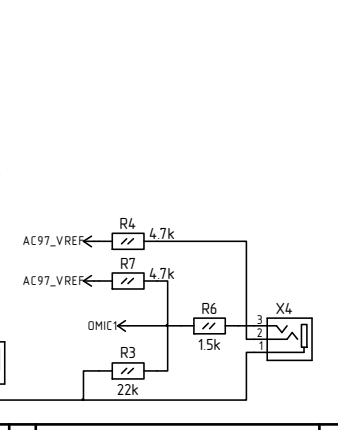
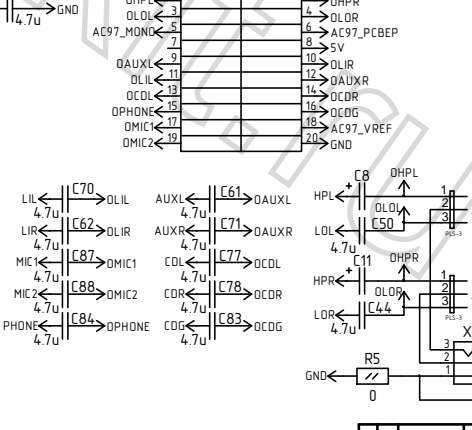
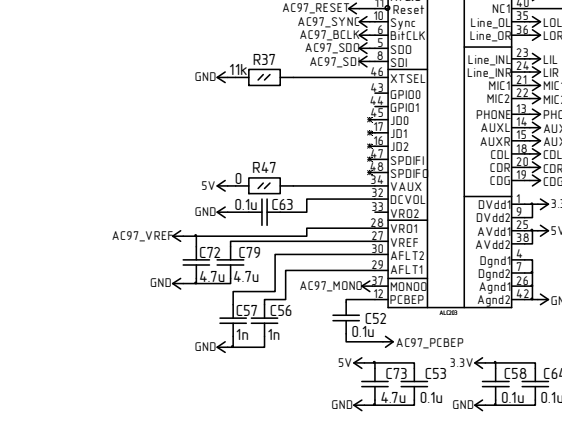
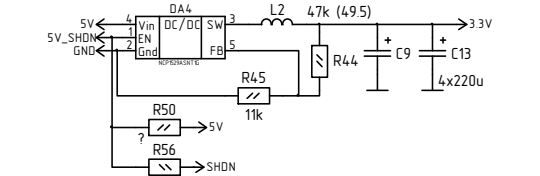
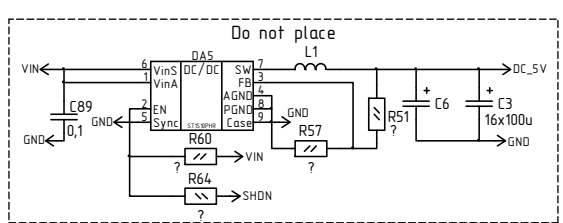
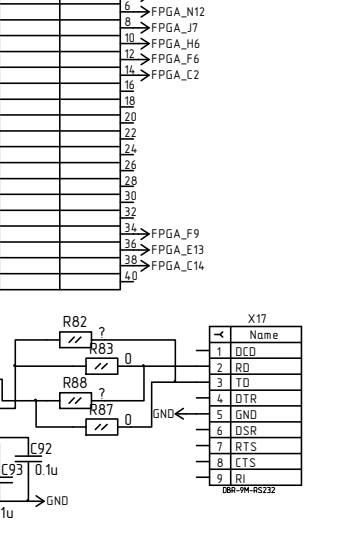
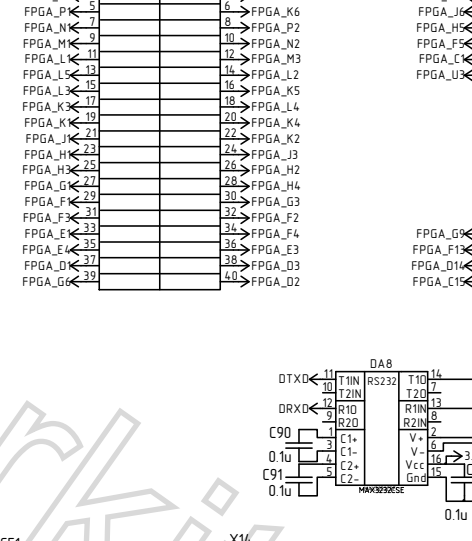
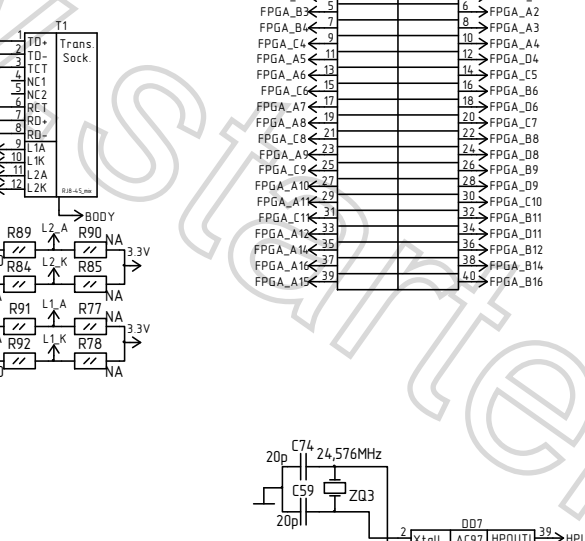
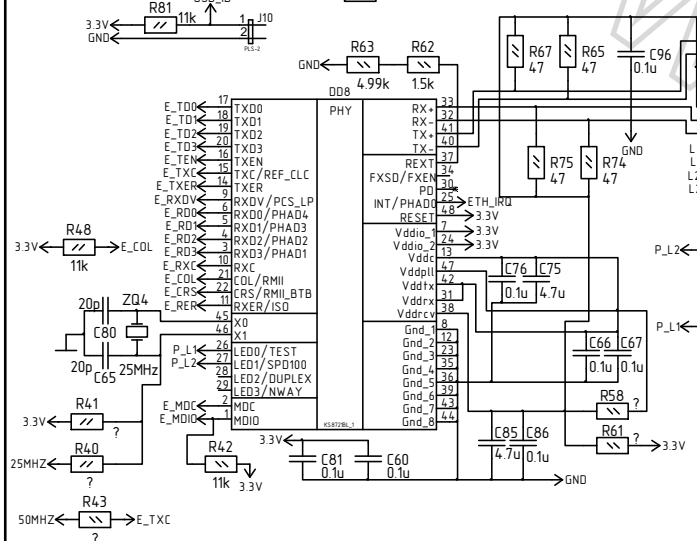
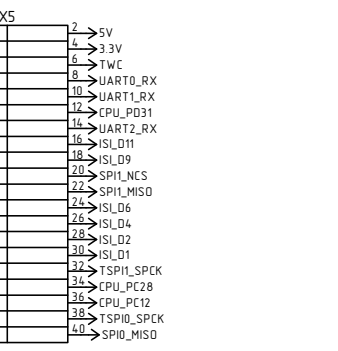
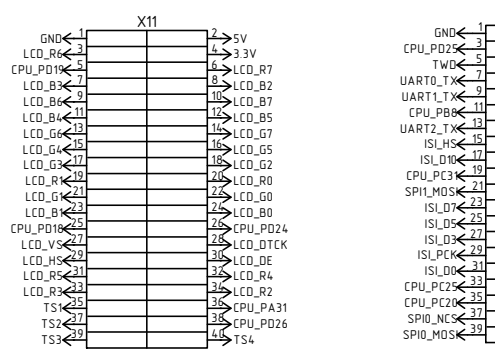
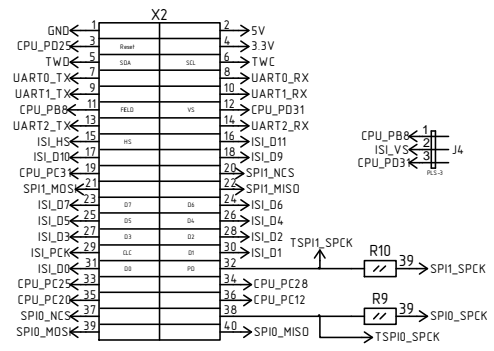
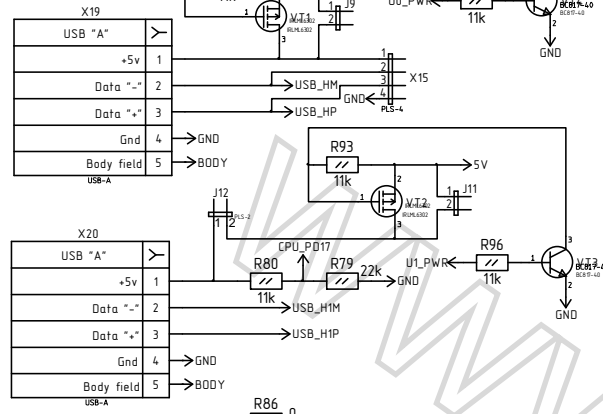
C1_CLK	M1	PA0/MCIO_CK/TCLK3	ARM9	PC0/DQM_A	A8
C1_CMD	M1	PA1/MCIO_C0A/TIOA3	ARM9	PC1/DQM_B	B8
C1_D0	N1	PA2/MCIO_D0A/TIOB3	GPIO	PC2/A19	E8
C1_D1	N1	PA3/MCIO_D1A/TCLK4	GPIO	PC3/A20	E8
C1_D2	N1	PA4/MCIO_D2A/TIOA4	GPIO	PC4/A21/NAND_ALE	A9
C1_D3	M2	PA5/MCIO_D3A/TIOB4	GPIO	PC5/A22/NAND_CLE	A9
E_T02	M3	PA6/MCIO_D4A/ETX2	GPIO	PC6/A23	A8
E_T03	M4	PA7/MCIO_D5A/ETX3	GPIO	PC7/A24	A6
E_RD2	M5	PA8/MCIO_D6A/ERX2	GPIO	PC8/CFC2	E8
E_RD3	M5	PA9/MCIO_D7A/ERX3	GPIO	PC9/CFC2/RTS	E6
E_T00	P1	PA10/ETX0	GPIO	PC10/NC54/CFC50/TCLK3	E6
E_T01	P1	PA11/ETX1	GPIO	PC11/NC55/CFC51/ETX1	E6
E_RD0	N3	PA12/ERX0	GPIO	PC12/A25/CFRN	A5
E_RD1	P2	PA13/ERX1	GPIO	PC13/NC53	D7
E_TEN	M4	PA14/ETXEN	GPIO	PC14/NC53/NAND_C	E6
E_RXDV	N5	PA15/ERXDV	GPIO	PC15/NWAIT	E6
E_RXER	N6	PA16/ERXER	GPIO	PC17/D17	D5
E_TXCK	N6	PA17/ETXCK	GPIO	PC18/D16	D6
E_MD0	R1	PA18/EMD0	GPIO	PC19/D17	E1
E_MD10	P3	PA19/EMD10	GPIO	PC20/D21	E1
TWD	R2	PA20/TWD0	GPIO	PC21/D21	E1
TWC	L1	PA21/TWCK0	GPIO	PC22/D21	E1
C_CMD0	P5	PA22/MCI1_D0A/SCK3	GPIO	PC23/D21	E1
C_D0	R3	PA23/MCI1_D0B/RTS3	GPIO	PC24/D21	E1
C_D1	R3	PA24/MCI1_D1A/CTS3	GPIO	PC25/D21	E1
C_D2	T2	PA25/MCI1_D2A/PWM3	GPIO	PC26/D21	E1
C_D3	T3	PA26/MCI1_D3A/TIOB2	GPIO	PC27/D21	E1
E_TXER	M4	PA27/MCI1_D4A/ETXER	GPIO	PC28/D21	E1
E_RXCK	U3	PA28/MCI1_D5A/ERXCK	GPIO	PC29/D21	E1
E_CR	U3	PA29/MCI1_D6A/EERS	GPIO	PC30/D33	B1
C_CLK	R4	PA30/MCI1_D7A/ECOL	GPIO	PC31/D31	B1
C_C0	V1	PA31/MCI1_CK/PCK0	GPIO	PC32/D31	B1



SK-AT91SAM9G45/M10-XC6SLX

www.starterkit.ru

V1B



Pin	Signal
1	GND
2	5V
3	3.3V
4	5V
5	3.3V
6	TWC
7	UART0_RX
8	UART1_RX
9	UART2_RX
10	CPUI_P031
11	CPUI_P032
12	CPUI_P033
13	CPUI_P034
14	CPUI_P035
15	CPUI_P036
16	CPUI_P037
17	CPUI_P038
18	CPUI_P039
19	CPUI_P040
20	CPUI_P041
21	CPUI_P042
22	CPUI_P043
23	CPUI_P044
24	CPUI_P045
25	CPUI_P046
26	CPUI_P047
27	CPUI_P048
28	CPUI_P049
29	CPUI_P050
30	CPUI_P051
31	CPUI_P052
32	CPUI_P053
33	CPUI_P054
34	CPUI_P055
35	CPUI_P056
36	CPUI_P057
37	CPUI_P058
38	CPUI_P059
39	CPUI_P060
40	CPUI_P061

