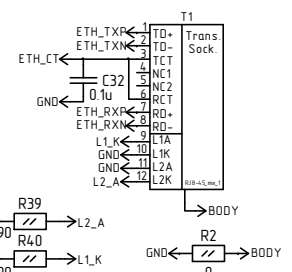
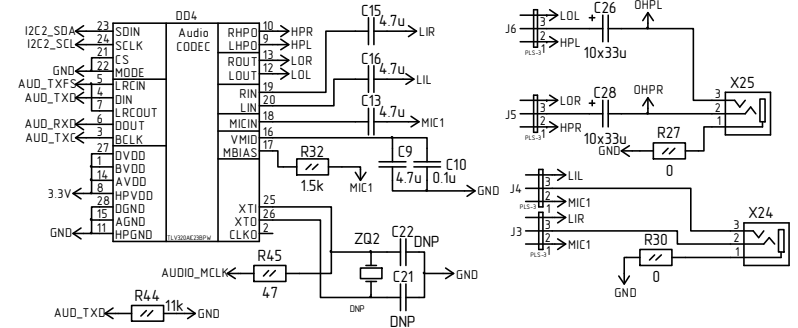


SK-iMX53/50/6S-OEM module

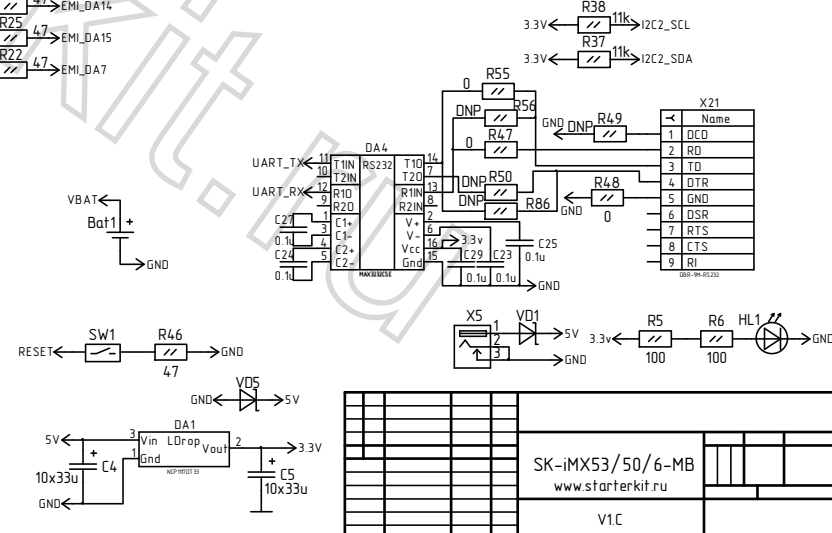
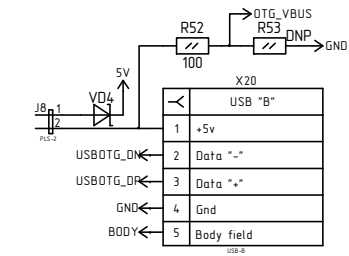
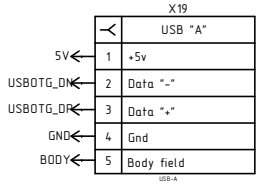
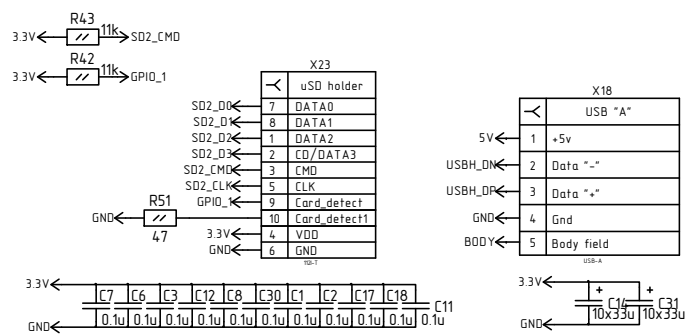
X13				X12				X15				X6			
GND	1	2	LCD_DTCK	5V	1	2	5V	USB_ID	1	2	GND	GND	1	2	PWM1
LCD_B0	3	4	LCD_B1	5V	3	4	5V	USB0TG_DM	3	4	USBH_ON	LVDS0_0_TXP	3	4	LVDS0_LTXP
LCD_B2	5	6	LCD_B3	GND	5	6	GND	USB0TG_DP	5	6	USBH_DP	LVDS0_0_TXN	5	6	LVDS0_LTXN
LCD_B4	7	8	LCD_B5	EMLD_A0	7	8	EMLD_A8	GPIO_1	7	8	GPIO_1	LVDS0_0_CLKP	7	8	LVDS0_0_TXP
LCD_B6	9	10	LCD_B7	EMLD_A1	9	10	EMLD_A9	SD2_CMD	9	10	SD2_CLK	LVDS0_0_CLKN	9	10	LVDS0_0_TXN
LCD_G0	11	12	LCD_G1	EMLD_A2	11	12	EMLD_A10	SD2_D0	11	12	SD2_D2	LVDS0_0_TXP	11	12	LVDS0_1_TXP
LCD_G2	13	14	LCD_G3	EMLD_A3	13	14	EMLD_A11	SD2_D1	13	14	SD2_D3	LVDS0_0_TXN	13	14	LVDS0_1_TXN
LCD_G4	15	16	LCD_G5	EMLD_A4	15	16	EMLD_A12	XSATA_TXP	15	16	XSATA_RXN	LVDS1_1_TXP	15	16	LVDS1_2_TXP
LCD_G6	17	18	LCD_G7	EMLD_A5	17	18	EMLD_A13	XSATA_TXN	17	18	XSATA_RXN	LVDS1_1_TXN	17	18	LVDS1_2_TXN
LCD_R0	19	20	LCD_R1	EMLD_A6	19	20	EMLD_A14	ETH_CT	19	20	GND	LVDS1_1_CLKP	19	20	LVDS1_3_TXP
LCD_R2	21	22	LCD_R3	EMLD_A7	21	22	EMLD_A15	ETH_RXP	21	22	ETH_RXN	LVDS1_1_CLKN	21	22	LVDS1_3_TXN
LCD_R4	23	24	LCD_R5	EMLD_A8	23	24	EMLD_A16	ETH_TXP	23	24	ETH_TXP	CSL_D0	23	24	CSL_D1
LCD_R6	25	26	LCD_R7	EMLD_A9	25	26	EMLD_A17	ETH_RXP	25	26	ETH_RXN	CSL_D2	25	26	CSL_D3
LCD_DE	27	28	LCD_VS	EMLD_A10	27	28	EMLD_A18	AUD_TXP	27	28	AUD_TXD	CSL_D4	27	28	CSL_D5
SPIO_NCS	29	30	LCD_HS	EMLD_A11	29	30	EMLD_A19	AUD_RXD	29	30	AUD_RXD	CSL_D6	29	30	CSL_D7
SPIO_MISO	31	32	SPIO_CLK	EMLD_A12	31	32	EMLD_A20	EIM_CS0	31	32	EIM_CS1	CSL_HS	31	32	CSL_VS
OWIRE	33	34	SPIO_MOSI	EMLD_A13	33	34	EMLD_A21	UART0_RX	33	34	UART1_TX	CSL_PCK	33	34	CSL_DE
CAN1_TX	35	36	CAN1_RX	EMLD_A14	35	36	EMLD_A22	UART1_RX	35	36	UART1_TX	SPI1_NCS	35	36	GPIO_3
I2C1_SCL	37	38	I2C1_SDA	EMLD_A15	37	38	EMLD_A23	UART_RX	37	38	I2C2_SCL	SPI1_CLK	37	38	SPI1_MOSI
GND	39	40	PWM2	EMLD_A16	39	40	EMLD_A24	I2C2_SDA	39	40	CAN2_TX	GND	39	40	SPI1_MISO
				GPIO_17	39	40	GND	CAN2_RX	39	40	GND				

Do not place on SK-iMX50-MB board

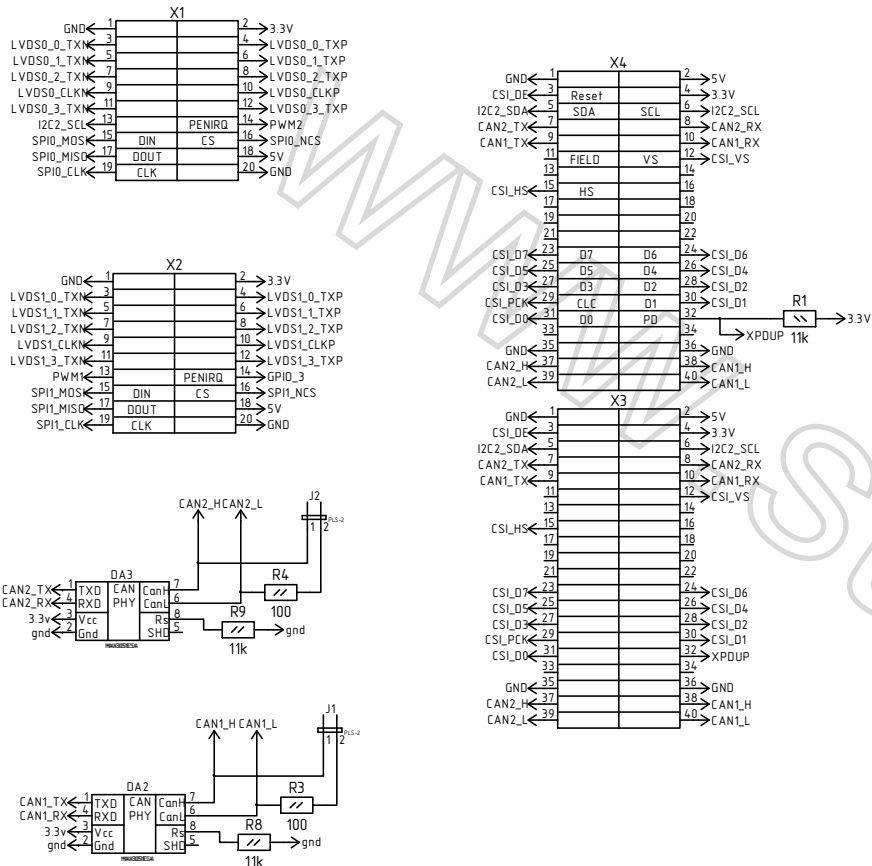


X11				X8			
GND	1	2	5V	GND	1	2	5V
VGA_B	3	4	3.3V	TR6	3	4	3.3V
VGA_G	5	6	VGA_R	SPIO_NCS	5	6	TR7
UART0_TX	7	8	UART0_RX	CS	7	8	TR8
UART1_TX	9	10	UART1_RX	TB3	9	10	TB2
GPIO_16	11	12	GPIO_17	TB4	11	12	TB7
GND	13	14	GND	TB6	13	14	TB5
GND	15	16	TEIM_CS1	TG6	15	16	TG7
TEML_EB1	17	18	TEIM_CS0	TG4	17	18	TG5
TEML_EB0	19	20	TEML_LBA	TG3	19	20	TG2
TEML_RW_VGA_VS	21	22	TEML_BCLK	TR1	21	22	TR0
TEML_OE_VGA_HS	23	24	TEML_WAIT	TG	23	24	TG0
TEML_DA7	25	26	TEML_DA15	TB	25	26	TB0
TEML_DA6	27	28	TEML_DA14	OWIRE	27	28	GND
TEML_DA5	29	30	TEML_DA13	TVS	29	30	TDCLK
TEML_DA4	31	32	TEML_DA12	THS	31	32	TDE
TEML_DA3	33	34	TEML_DA11	TR5	33	34	TR4
TEML_DA2	35	36	TEML_DA10	TR3	35	36	TR2
TEML_DA1	37	38	TEML_DA9	SPIO_MOSI	37	38	I2C1_SDA
TEML_DA0	39	40	TEML_DA8	I2C1_SCL	39	40	PWM2
				SPIO_MISO	39	40	SPIO_CLK

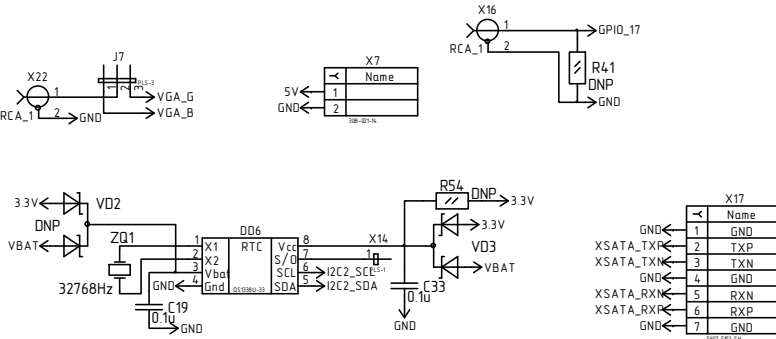
TEML_DA8	R11	47	EMLD_A8	TEML_WAIT	R26	47	EMLD_WAIT
TEML_DA0	R7	47	EMLD_A0	TEML_OE_VGA_HS	R24	47	EMLD_OE_VGA_HS
TEML_DA1	R10	47	EMLD_A1	TEML_BCLK	R29	47	EMLD_BCLK
TEML_DA9	R12	47	EMLD_A9	TEML_RW_VGA_VS	R28	47	EMLD_RW_VGA_VS
TEML_DA2	R13	47	EMLD_A2	TEML_LBA	R34	47	EMLD_LBA
TEML_DA10	R14	47	EMLD_A10	TEML_EB0	R31	47	EMLD_EB0
TEML_DA11	R17	47	EMLD_A11	TEIM_CS0	R35	47	EIM_CS0
TEML_DA3	R15	47	EMLD_A3	TEML_EB1	R33	47	EMLD_EB1
TEML_DA12	R18	47	EMLD_A12	TEIM_CS1	R36	47	EIM_CS1
TEML_DA4	R16	47	EMLD_A4				
TEML_DA5	R19	47	EMLD_A5				
TEML_DA13	R20	47	EMLD_A13				
TEML_DA6	R21	47	EMLD_A6				
TEML_DA14	R23	47	EMLD_A14				
TEML_DA15	R25	47	EMLD_A15				
TEML_DA7	R22	47	EMLD_A7				



Do not place on SK-iMX50-MB and SK-iMX6-MB board



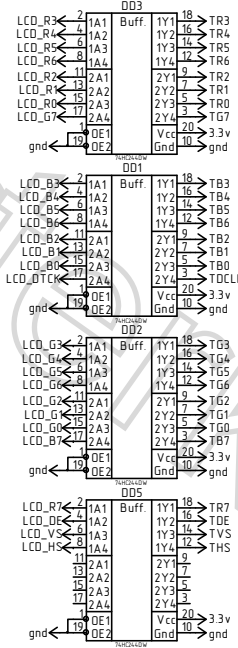
X1, X2, X3, X4, DA2, DA3 placed on SK-iMX6-MB



Do not place on SK-iMX53-MB board



Do not place on SK-iMX50-MB and SK-iMX6-MB



Do not place on SK-iMX53-MB

